

FOR FINISH AND COMPONENTS, SEE INFORMATION CONTAINED IN THE DRAWING AND THE FULL DESCRIPTION OF THE RECESSED TRACK SYSTEM. SEE THE RECESSED TRACK SYSTEM MANUAL FOR A COMPLETE LIST OF ACCESSORIES AND COMPONENTS. SEE THE RECESSED TRACK SYSTEM MANUAL FOR A COMPLETE LIST OF ACCESSORIES AND COMPONENTS.

REV	DATE	DESCRIPTION	BY	CHKD

Mystic
MOTORIZED SCREENS

TITLE:
RECESSED TRACK DETAILS

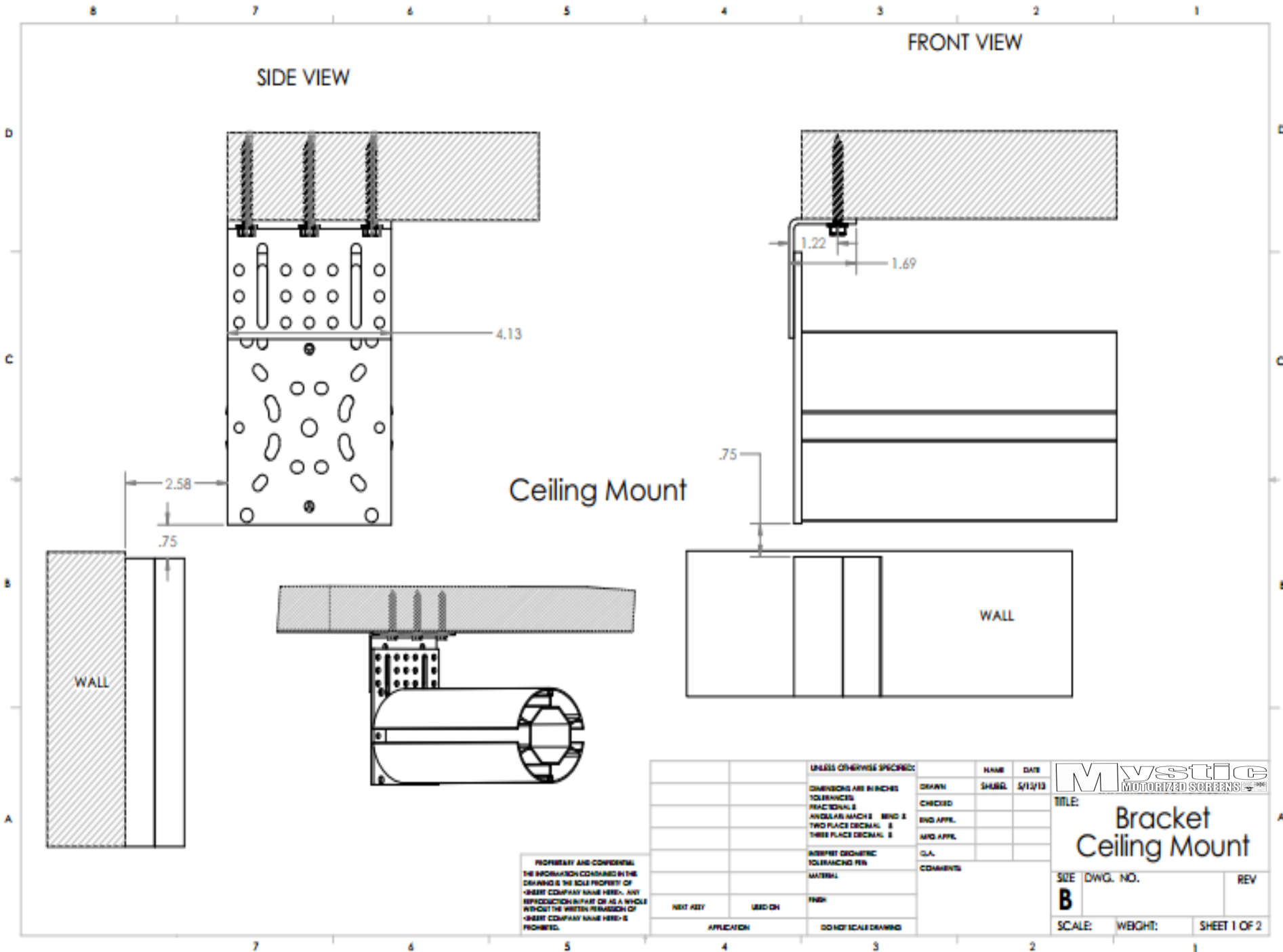
SIZE: **B** DWG. NO.: REV: **B**

SCALE: WEIGHT: SHEET 1 OF 2

FRONT VIEW

SIDE VIEW

Ceiling Mount



PROPRIETARY AND CONFIDENTIAL
 THE INFORMATION CONTAINED IN THIS
 DRAWING IS THE SOLE PROPERTY OF
 [INSERT COMPANY NAME HERE]. ANY
 REPRODUCTION IN PART OR AS A WHOLE
 WITHOUT THE WRITTEN PERMISSION OF
 [INSERT COMPANY NAME HERE] IS
 PROHIBITED.

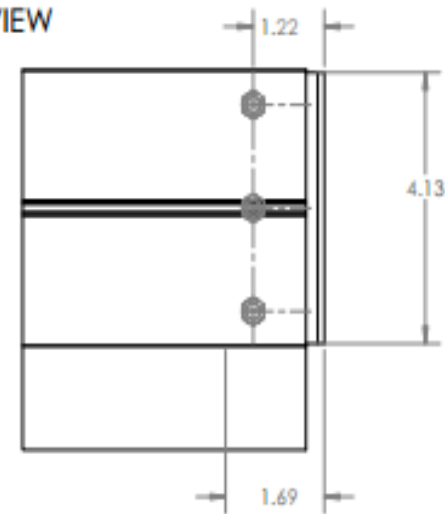
UNLESS OTHERWISE SPECIFIED:		NAME	DATE
DRAWN	SHUBB		5/13/13
CHECKED			
ENG. APPL.			
MFG. APPL.			
C.A.			
COMMENTS			
NEXT SIZE	USED ON		
APPLICATION	DO NOT SCALE DRAWING		



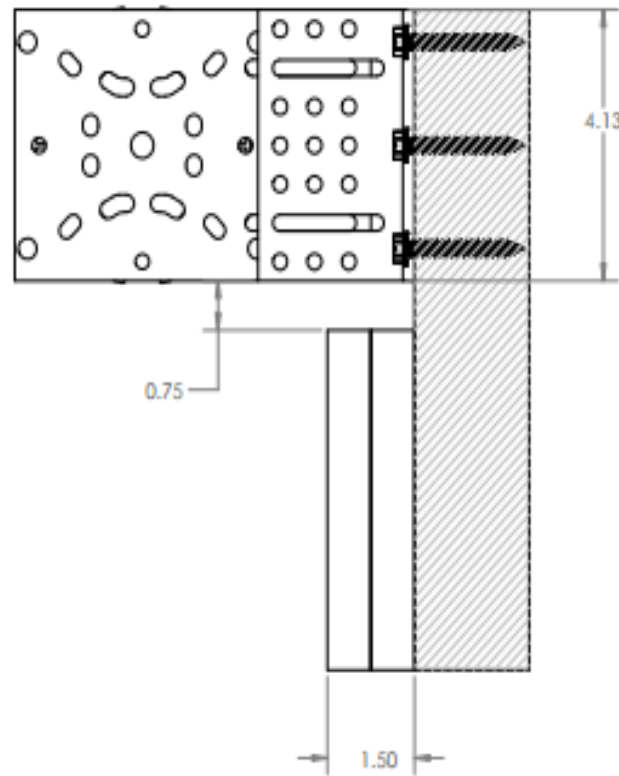
TITLE:
Bracket Ceiling Mount

SIZE	DWG. NO.	REV
B		
SCALE:	WEIGHT:	SHEET 1 OF 2

FRONT VIEW

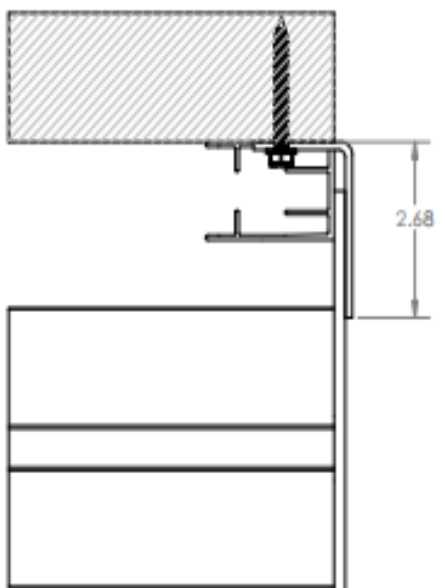


SIDE VIEW



WALL MOUNT

TOP VIEW



PROPERTY AND CONFIDENTIAL
 THE INFORMATION CONTAINED IN THIS
 DRAWING IS THE SOLE PROPERTY OF
 -INSERT COMPANY NAME HERE-. ANY
 REPRODUCTION IN PART OR AS A WHOLE
 WITHOUT THE WRITTEN PERMISSION OF
 -INSERT COMPANY NAME HERE- IS
 PROHIBITED.

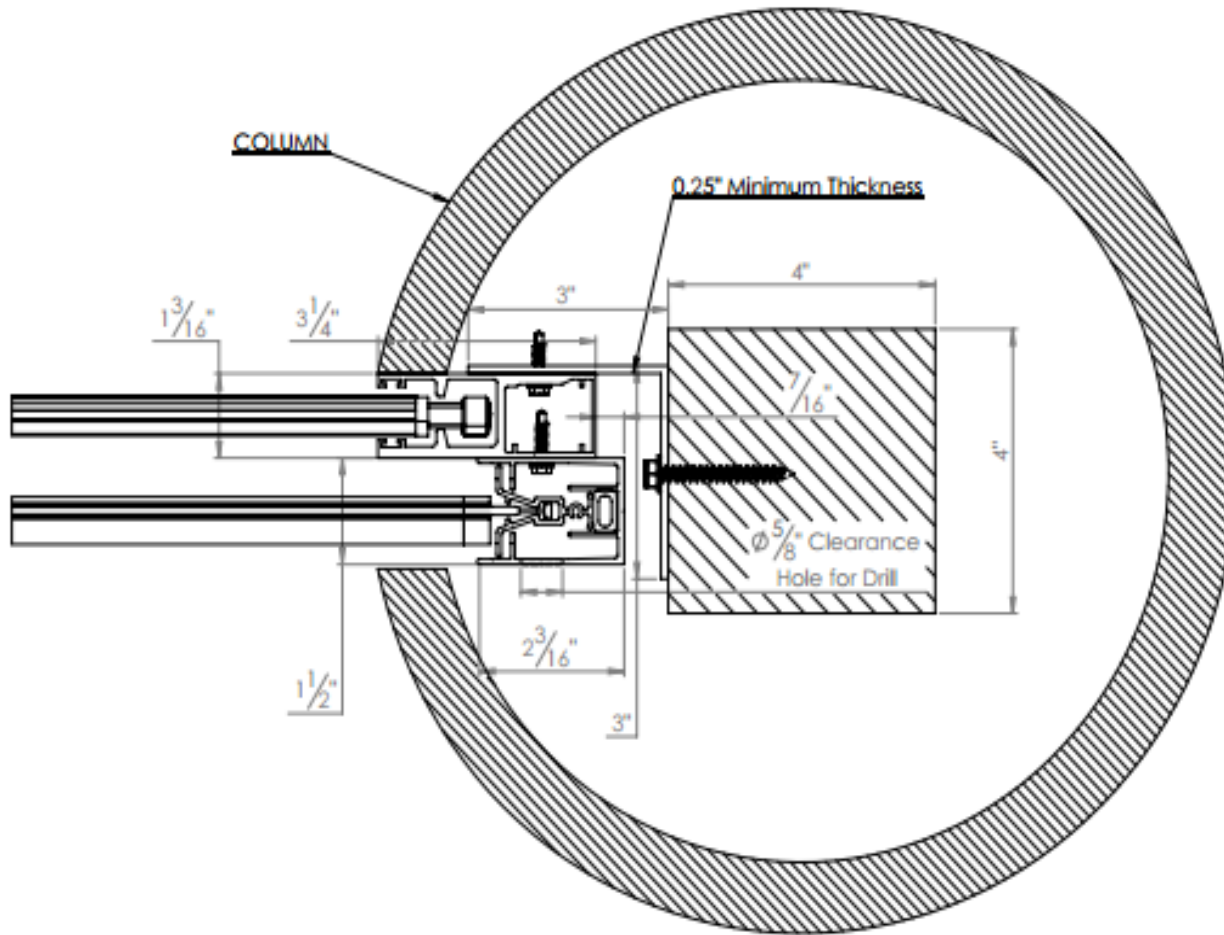
UNLESS OTHERWISE SPECIFIED:		NAME	DATE
DIMENSIONS ARE IN INCHES		SHUBAL	5/12/13
TOLERANCES		CHECKED	
FRACTIONAL &		ENG APPL.	
ANGULAR MATCH &		MGD APPL.	
TWO PLACE DECIMAL &		C.A.	
THREE PLACE DECIMAL &		COMMENTS	
INTERPRET GEOMETRIC TOLERANCING PER MATERIAL			
FINISH			
NEXT KEY	USED ON		
APPLICATION	DO NOT SCALE DRAWING		

Mystic
 MOTORIZED SCREENS™

TITLE: **Bracket Wall Mount**

SIZE	DWG. NO.	REV
B		B

SCALE: WEIGHT: SHEET 2 OF 2



PROPERTY AND CONFIDENTIAL
 THE INFORMATION CONTAINED IN THE
 DRAWING IS THE SOLE PROPERTY OF
 Q&A SHUTTER COMPANY. ANY
 REPRODUCTION IN PART OR AS A WHOLE
 WITHOUT THE WRITTEN PERMISSION OF
 Q&A SHUTTER COMPANY IS
 PROHIBITED.

UNLESS OTHERWISE SPECIFIED:
 DIMENSIONS ARE IN INCH
 TOLERANCES:
 FRACTIONAL ± .005
 ANGULAR ± .0004 INCH
 TWO PLACE DECIMAL ± .005
 THREE PLACE DECIMAL ± .001

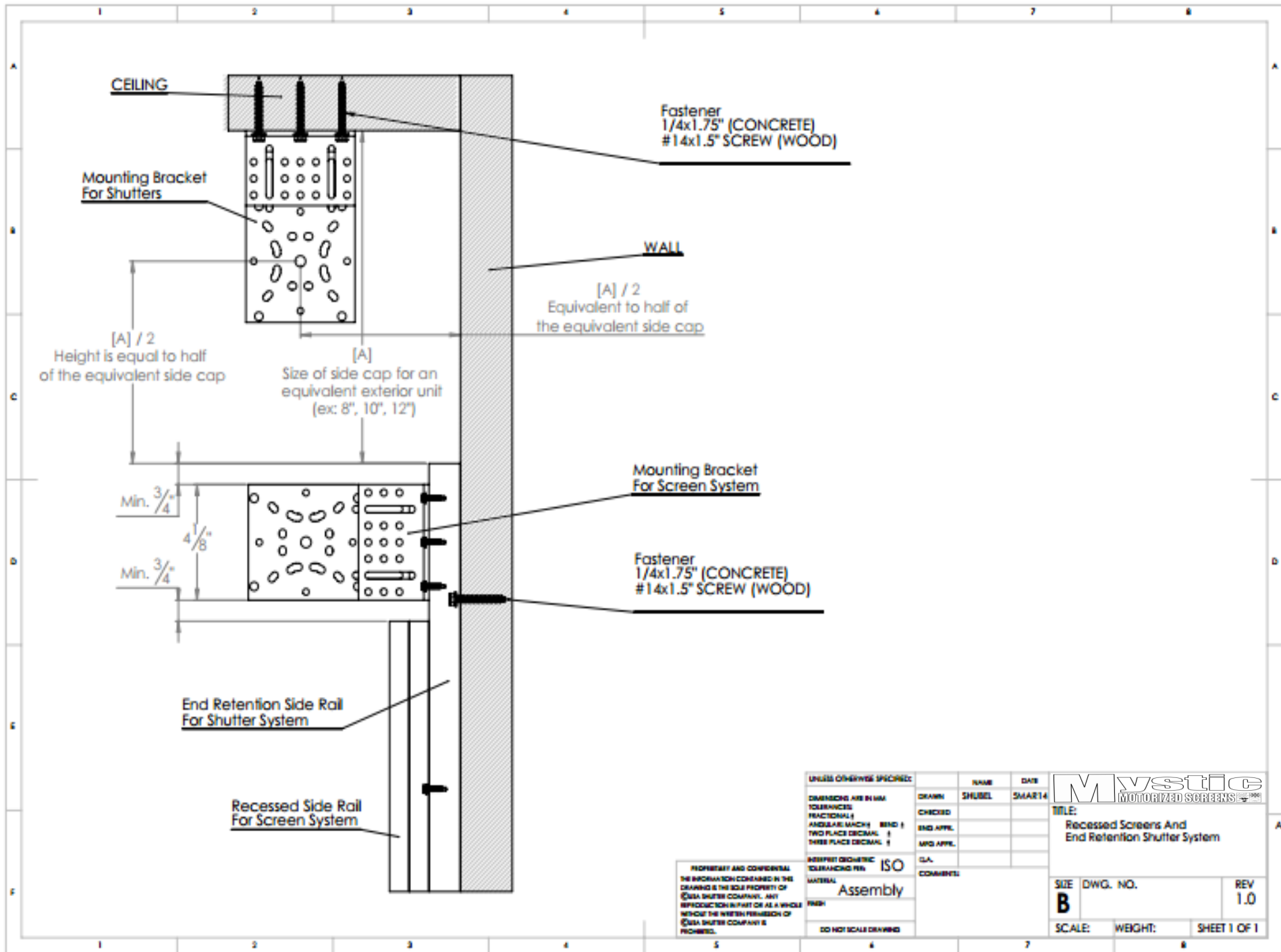
ISO
 MATERIAL
 Assembly
 FINISH
 DO NOT SCALE DRAWING

DATE	VALUE	NAME
SMART14	SHUSEL	DRAWN
		CHECKED
		ENG APPR.
		MFG APPR.
		QA
		COMMENTS

Mystic
 MOTORIZED SCREENS

TITLE:
 Recessed Mounting of
 End-Retention Shutter
 & Recessed Track for Screens

SIZE	DWG. NO.	REV
B		1.0
SCALE: 2:1	WEIGHT:	SHEET 1 OF 1



PROPRIETARY AND CONFIDENTIAL
 THE INFORMATION CONTAINED IN THIS
 DRAWING IS THE SOLE PROPERTY OF
 ©USA SHUTTER COMPANY. ANY
 REPRODUCTION IN PART OR AS A WHOLE
 WITHOUT THE WRITTEN PERMISSION OF
 ©USA SHUTTER COMPANY IS
 PROHIBITED.

UNLESS OTHERWISE SPECIFIED:	NAME	DATE
DIMENSIONS ARE IN INCH	SHUBEL	SMART14
TOLERANCES:	CHECKED	
FRACTIONAL: ±	ENG. APPR.	
DECIMAL: MACH: ±	MFG. APPR.	
TWO PLACE DECIMAL: ±	C.A.	
THREE PLACE DECIMAL: ±	COMMENTS:	
ACCEPTED DIMETRIC TOLERANCES PER ISO		
MATERIAL: Assembly		
FINISH:		
DO NOT SCALE DRAWING		

Mystic
 (MOTORIZED SCREENS) INC.

TITLE:
 Recessed Screens And
 End Retention Shutter System

SIZE: B	DWG. NO.:	REV: 1.0
SCALE:	WEIGHT:	SHEET 1 OF 1